

Control Panel Cutout Adapter Plates

Adapter Plates Simplify Upgrading Old Controllers in Existing Control Panels

Watlow® panel mount adapter plates provide a convenient, cost-saving solution to modify existing control panels. Available in a variety of DIN sizes, adapter plates make changing out old, larger size temperature controllers with more sophisticated, compact controllers easy. Simply complete the build-a-part with the specifications you require.

Features and Benefits

Standard DIN plate sizes

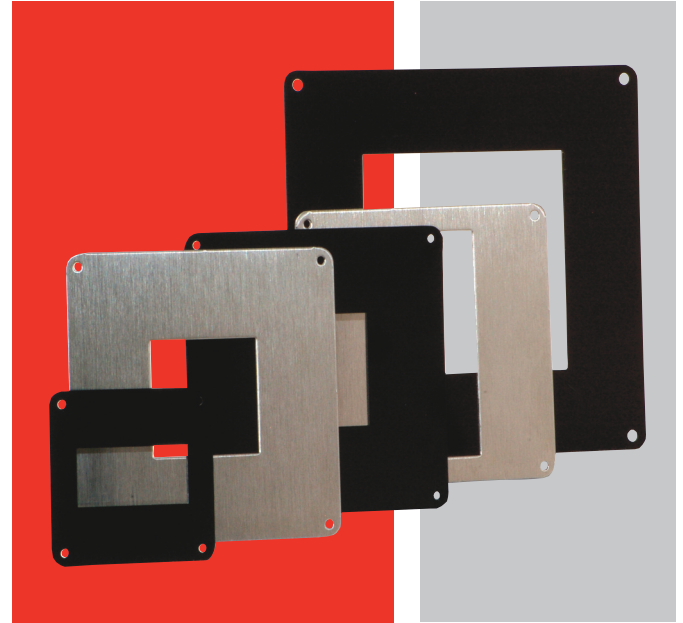
- Fills void left by most models of old controllers

Standard DIN cutouts

- Allows selection of a new controller based on the desired features

Choice of stainless steel or black anodized aluminum

- Meets a variety of environment and application requirements



Specifications

Black anodized aluminum

- Material: aluminum 1100-H14
- Finish: black anodized
- Thickness: 0.063 in. (1.6 mm)

Stainless steel

- Material: stainless steel, 304
- Finish: polished
- Thickness: 0.047 in. (1.2 mm)

Dimensions

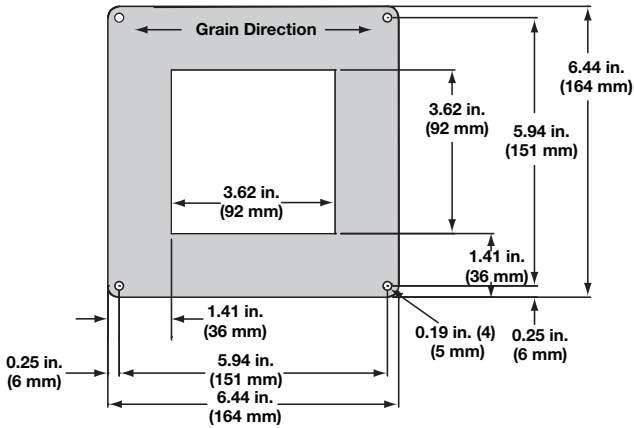
Common dimensions (unless otherwise noted)

- Corner radius: 0.25 in. (6 mm)
- Mounting hole diameter: 0.13 in. (3 mm)
- Mounting hole centers set back from edges: 0.21 in. (5 mm)

Dimensions

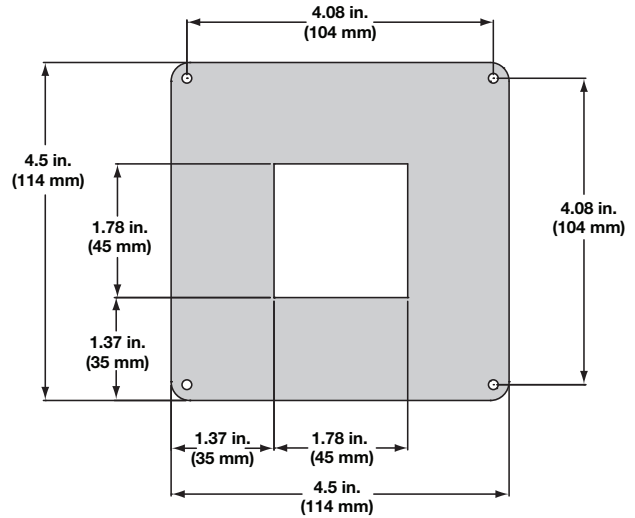
$\frac{1}{2}$ DIN to $\frac{1}{4}$ DIN

(Part Number: 0216-0920-P00X)



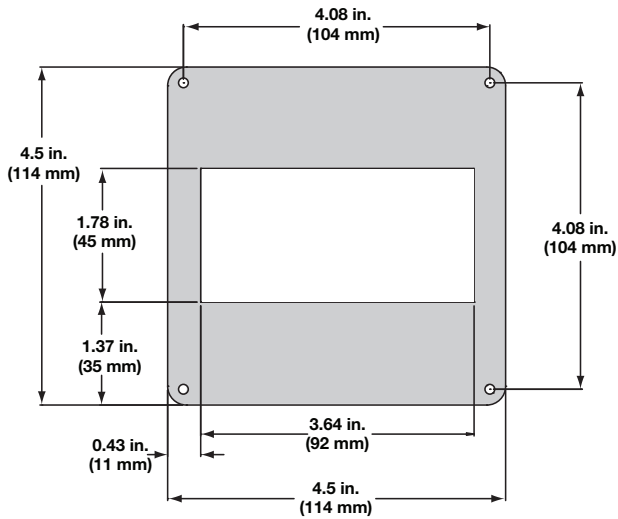
$\frac{1}{4}$ DIN to $\frac{1}{16}$ DIN

(Part Number: 0216-0866-P00X)



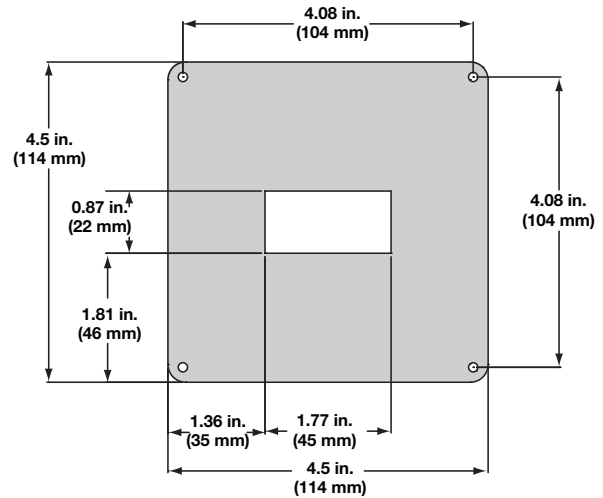
$\frac{1}{4}$ DIN to $\frac{1}{8}$ DIN

(Part Number: 0216-0865-P00X)



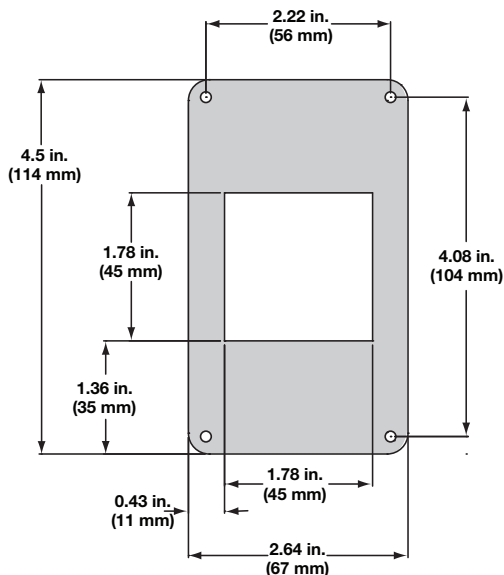
$\frac{1}{4}$ DIN to $\frac{1}{32}$ DIN

(Part Number: 0216-0895-P00X)



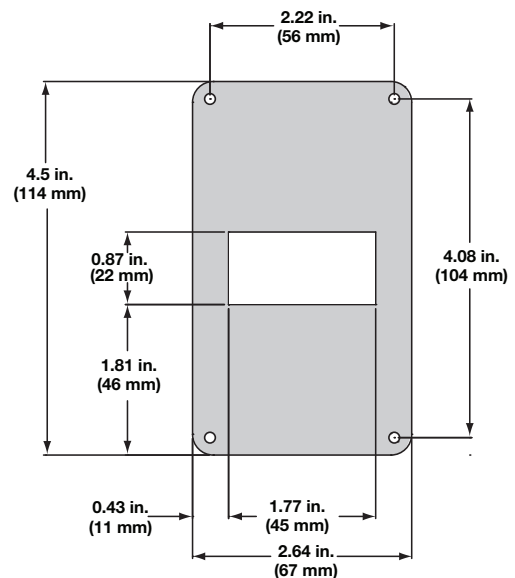
$\frac{1}{8}$ DIN to $\frac{1}{16}$ DIN

(Part Number: 0216-0867-P00X)



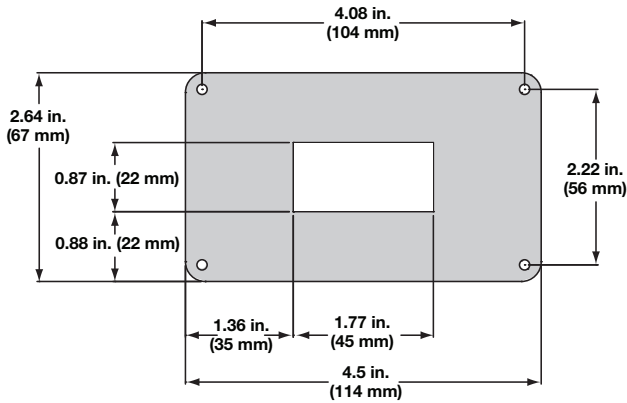
Vertical $\frac{1}{8}$ DIN to Horizontal $\frac{1}{32}$ DIN

(Part Number: 0216-0897-P002)



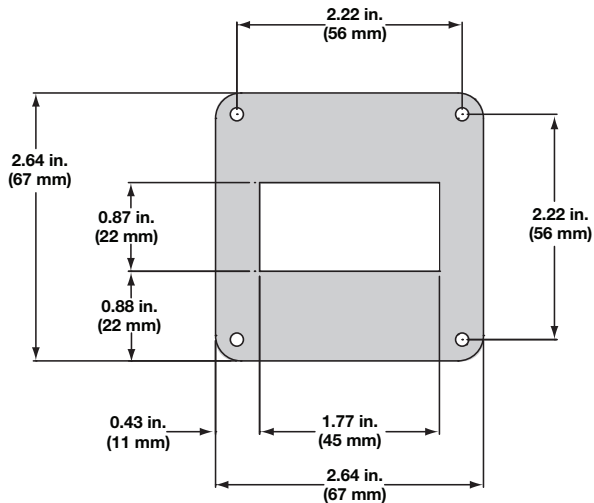
Dimensions (Continued)

Horizontal $\frac{1}{8}$ DIN to Horizontal $\frac{1}{32}$ DIN (Part Number: 0216-0899-P002)



$\frac{1}{16}$ DIN to $\frac{1}{32}$ DIN

(Part Number: 0216-0900-P00X)



Ordering Information

Part Number

①	②	③	④	⑤	⑥ ⑦ ⑧ Adapter Plate & Config.	⑨ ⑩ ⑪	⑫ Finish
0216	-	0		-	P00		

⑥ ⑦ ⑧ Adapter Plate Size and Configuration

920	=	$\frac{1}{2}$ DIN to $\frac{1}{4}$ DIN
865	=	$\frac{1}{4}$ DIN to $\frac{1}{8}$ DIN
866	=	$\frac{1}{4}$ DIN to $\frac{1}{16}$ DIN
895	=	$\frac{1}{4}$ DIN to $\frac{1}{32}$ DIN
867	=	$\frac{1}{8}$ DIN to $\frac{1}{16}$ DIN
897*	=	Vertical $\frac{1}{8}$ DIN to horizontal $\frac{1}{32}$ DIN
899*	=	Horizontal $\frac{1}{8}$ DIN to horizontal $\frac{1}{32}$ DIN
900	=	$\frac{1}{16}$ DIN to $\frac{1}{32}$ DIN

* Available in black anodized only

⑫ Finish

2	=	Black anodize
3	=	Stainless steel

Watlow® is a registered trademark of Watlow Electric Manufacturing Company.

To be automatically connected to the nearest North American Technical Sales Office:

1-800-WATLOW2 • www.watlow.com • inquiry@watlow.com

International Technical Sales Offices: Australia, +61 3 9335 6449 • China, +86 21 3381 0188 • France, +33 1 41 32 79 70
 Germany, +49 (0) 72 53 / 94 00-0 • Italy, +39 024588841 • Japan, +81 3 3518 6630 • Korea, +82 2 2628 5770
 Malaysia, +60 3 8076 8745 • Mexico, +52 442 217 6235 • Singapore, +65 6773 9488 • Spain, +34 91 675 12 92
 Taiwan, +886 7 288 5168 • United Kingdom, +44 (0) 115 964 0777